

# Schnellverschraubung IP66, Winkel 90°

Außengewinde metrisch und PG

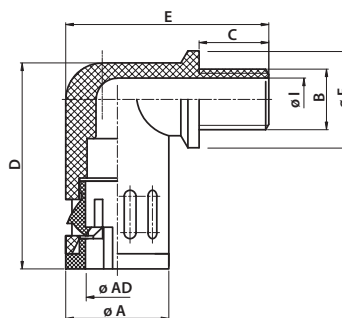


- Einfache und schnelle Montage und Demontage
- Konisch dichtend
- Beständig gegen Öl und Benzin
- Weitgehend säure- und lösungsmittelbeständig
- Silikon-, cadmium- und halogenfrei
- Kompatibel zu allen Wellrohren der Serie KSS

## Technische Daten

Material	Polyamid (PA6.6)
Farbe	schwarz (RAL 9005), grau (RAL 7037)
Temperaturbereich	-40°C ... 115°C, kurzfristig 150°C
Schutzart	IP66
Flammklasse	V2 (nach UL94)

## Maße



Zulassungen/Normen



VWK6-M – metrisches Gewinde		Gewinde B	— für KSS-Rohr —		Gewindelänge C [mm]	Innen-Ø I [mm]	Außen-Ø A [mm]	Länge D [mm]	Höhe E [mm]	VPE Stk.
schwarz (RAL 9005)	grau (RAL 7037)		NW	AD [mm]						
VWK6-M10/10/NW7,5 sw	VWK6-M10/10/NW7,5 gr	M10×1,0	7,5	10,0	11,5	7,0	17,0	34,0	33,5	50
VWK6-M12/10/NW7,5 sw	VWK6-M12/10/NW7,5 gr	M12×1,5	7,5	10,0	11,5	8,5	17,0	34,0	33,5	50
VWK6-M12/13/NW10 sw	VWK6-M12/13/NW10 gr	M12×1,5	10	13,0	11,5	8,0	20,0	38,5	36,0	50
VWK6-M16/13/NW10 sw	VWK6-M16/13/NW10 gr	M16×1,5	10	13,0	11,5	11,0	20,0	38,5	36,0	50
VWK6-M16/15,8/NW12 sw	VWK6-M16/15,8/NW12 gr	M16×1,5	12	15,8	12,0	12,0	23,0	43,5	40,5	50
VWK6-M20/21,2/NW16/17 sw	VWK6-M20/21,2/NW16/17 gr	M20×1,5	16/17	21,2	13,0	15,5	29,5	51,5	48,0	25
VWK6-M25/21,2/NW16/17 sw	VWK6-M25/21,2/NW16/17 gr	M25×1,5	16/17	21,2	13,0	18,0	29,5	51,5	48,0	25
VWK6-M25/28,5/NW21/23 sw	VWK6-M25/28,5/NW21/23 gr	M25×1,5	21/23	28,5	13,0	20,5	37,0	59,0	56,0	20
VWK6-M32/28,5/NW21/23 sw	VWK6-M32/28,5/NW21/23 gr	M32×1,5	21/23	28,5	13,0	23,5	37,0	59,0	56,0	20
VWK6-M32/34,5/NW29 sw	VWK6-M32/34,5/NW29 gr	M32×1,5	29	34,5	15,0	25,0	44,0	70,5	65,5	10
VWK6-M40/34,5/NW29 sw	VWK6-M40/34,5/NW29 gr	M40×1,5	29	34,5	15,0	31,0	44,0	70,5	65,5	10
VWK6-M40/42,5/NW36/37 sw	VWK6-M40/42,5/NW36/37 gr	M40×1,5	36/37	42,5	15,0	32,0	52,0	81,0	73,5	5
VWK6-M50/42,5/NW36/37 sw	VWK6-M50/42,5/NW36/37 gr	M50×1,5	36/37	42,5	15,0	39,0	52,0	81,0	73,5	5
VWK6-M50/54,5/NW48/50 sw	VWK6-M50/54,5/NW48/50 gr	M50×1,5	48/50	54,5	16,0	43,0	64,0	91,0	86,5	4
VWK6-M63/54,5/NW48/50 sw	VWK6-M63/54,5/NW48/50 gr	M63×1,5	48/50	54,5	16,0	48,5	64,0	91,0	86,5	4
VWK6-P – PG Gewinde		Gewinde B	— für KSS-Rohr —		Gewindelänge C [mm]	Innen-Ø I [mm]	Außen-Ø A [mm]	Länge D [mm]	Höhe E [mm]	VPE Stk.
schwarz (RAL 9005)	grau (RAL 7037)		NW	AD [mm]						
VWK6-P07/10/NW7,5 sw	VWK6-P07/10/NW7,5 gr	PG7	7,5	10,0	11,5	8,5	17,0	34,0	33,5	50
VWK6-P09/13/NW10 sw	VWK6-P09/13/NW10 gr	PG9	10	13,0	11,5	11,0	20,0	38,5	36,0	50
VWK6-P11/15,8/NW12 sw	VWK6-P11/15,8/NW12 gr	PG11	12	15,8	12,0	14,0	23,0	43,5	40,5	50
VWK6-P13,5/18,5/NW16/17 sw	VWK6-P13,5/18,5/NW16/17 gr	PG13,5	16/17	18,5	13,0	15,5	26,0	47,5	45,0	50
VWK6-P16/21,2/NW16/17 sw	VWK6-P16/21,2/NW16/17 gr	PG16	16/17	21,2	13,0	18,0	29,5	51,5	48,0	25
VWK6-P21/28,5/NW21/23 sw	VWK6-P21/28,5/NW21/23 gr	PG21	21/23	28,5	13,0	23,5	37,0	59,0	56,0	20
VWK6-P29/34,5/NW29 sw	VWK6-P29/34,5/NW29 gr	PG29	29	34,5	15,0	31,0	44,0	70,5	65,5	10
VWK6-P36/42,5/NW36/37 sw	VWK6-P36/42,5/NW36/37 gr	PG36	36/37	42,5	15,0	36,0	52,0	81,0	73,5	5
VWK6-P48/54,5/NW48/50 sw	VWK6-P48/54,5/NW48/50 gr	PG48	48/50	54,5	16,0	48,5	64,0	91,0	86,5	4